



Capsule pressure gauges with elastic element and moving parts in copper alloy manufactured according to EN 837-3 standards.

Especially suitable for gaseous media not subjected to vibrations with a maximum temperature not higher than 100°C.

STANDARD PARAMETERS

- Design: EN 837-3
- Closing: Bayonet
- Mounting: See attached diagram **A**
- Threaded connection: **Ø63**: ¼" BSP; **Ø100**: ½" BSP (UNE-EN 10226-1)
- IP protection: IP65 (EN 60529 / IEC 529)
- Accuracy: **Ø63**: Class 1.6 / **Ø100**: Class 1.0
- Pressure limits:
 - Static: Full scale
 - Oscillating: 0.9 end of scale
 - Maximum: Full scale
- Temperature limits:
 - Environment: -40+80°C
 - Fluid: 100°C
- Range: **0...600** mbar
- Scale: mbar
- Subdivision: According to standard EN 837-3
- Sensor element: Capsule
- Pointer: Micrometric adjustment

Application:

- Gas facilities
- Low pressure

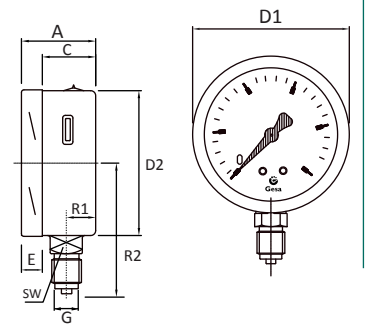
MATERIALS

- Case: AISI 304 Stainless steel with bayonet closing
- Capsule and moving parts: Copper Alloy
- Threaded connection: Brass
- Display: Safety glass
- Dial: White laquered aluminum
- Pointer: Black laquered aluminum
- Welding: Cu-Sn

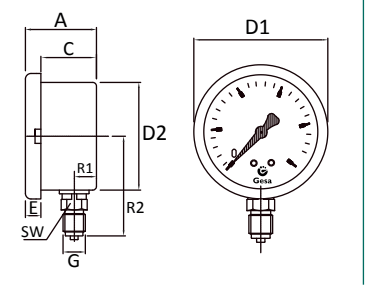
DIMENSIONS (mm)

DIMENSIONS (mm)											WEIGHT (g)
DN	Mounting	R1	A	C	D1	E	D2	G	R2	SW	
Ø63	A	10	37	27	74	10	66	¼ BSP	55	14	199
Ø100	A	16	49	32	101	17	99	½" BSP	83	22	545

A Bottom Ø100



A Bottom Ø63



How to order

- | | | | |
|---|---|---|--------------------------------|
| 1. Case diameter
Ø63 Ø100 | 2. Pressure range (Bar)
0+25 0+60 0+160 0+400
0+40 0+100 0+250 0+600 | 3. Pressure scale
mbar | 4. Mounting
A |
| 5. Threaded connection
¼" BSP ½" BSP | 6. Connection material
Brass | 7. Calibration certificate traceable to ENAC
7 point certificate
Without certificate | |

M0403 -

1	2	3	4	5	6	7

www.termometros.com



Order it online!
+34 94 676 63 64

info@termometros.com